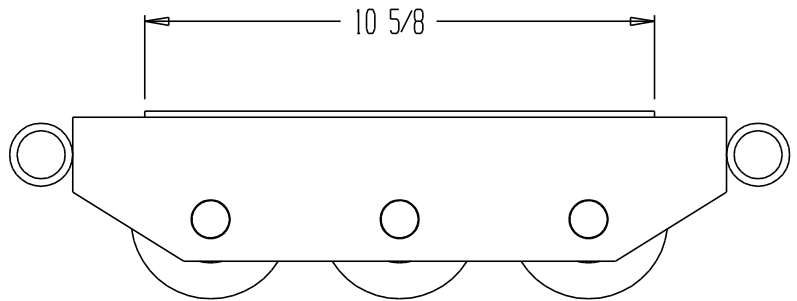
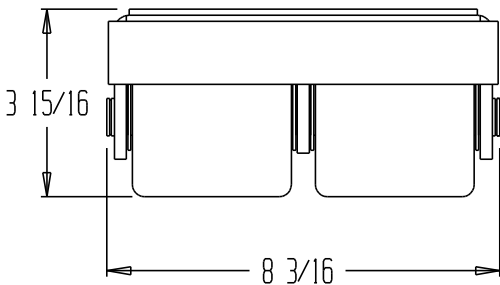
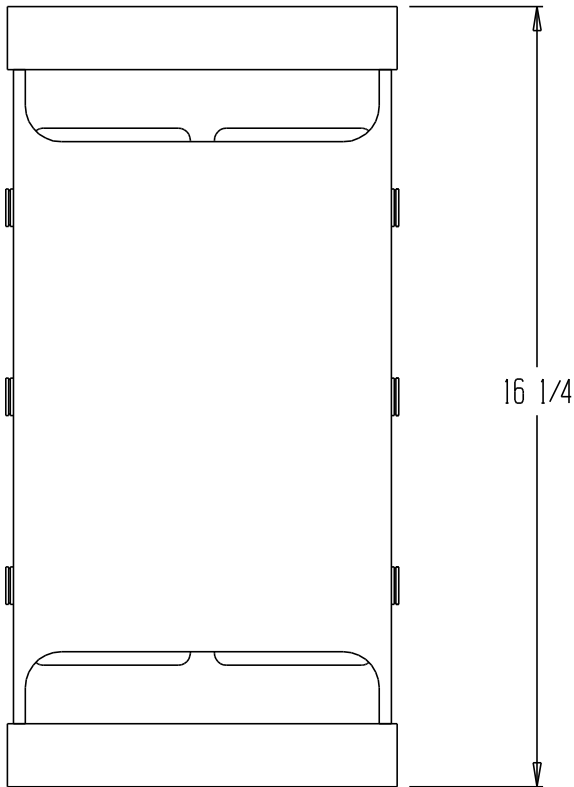


# FIXED MACHINERY SKATE - FMS-6



PRODUCTION WILL START UPON  
RECEIPT OF SIGNED APPROVAL  
DRAWING

## STANDARD FEATURES

MODEL NUMBER: FMS-6  
CAPACITY: 12,000 LBS  
OVERALL WIDTH: 8 3/16"  
OVERALL LENGTH: 16 1/4"  
OVERALL HEIGHT: 3 15/16"  
(6) NYLON ROLLERS

## SPECIAL FEATURES

NONE

## APPROVAL

I, the undersigned, hereby approve this print  
 As drawn       As marked  
 This includes my approval of design & dimensions.  
 Signed: \_\_\_\_\_  
 Date: \_\_\_\_\_

\*\*SPECIAL UNITS ARE NON-RETURNABLE  
\*AVAILABLE AT ADDITIONAL COSTS

|   |                                |            |
|---|--------------------------------|------------|
| DISTRIBUTOR'S NAME:<br><b>T &amp; S EQUIPMENT</b> |                                | P.O.#: -   |
| DRAWN BY: KY                                      |                                | W.O.#: -   |
| DATE: 9/15/04                                     | SALES: -                       |            |
| REFERENCE:<br>-                                   | DRWG./FILE NAME:<br>33-007-125 | scale: 1:4 |